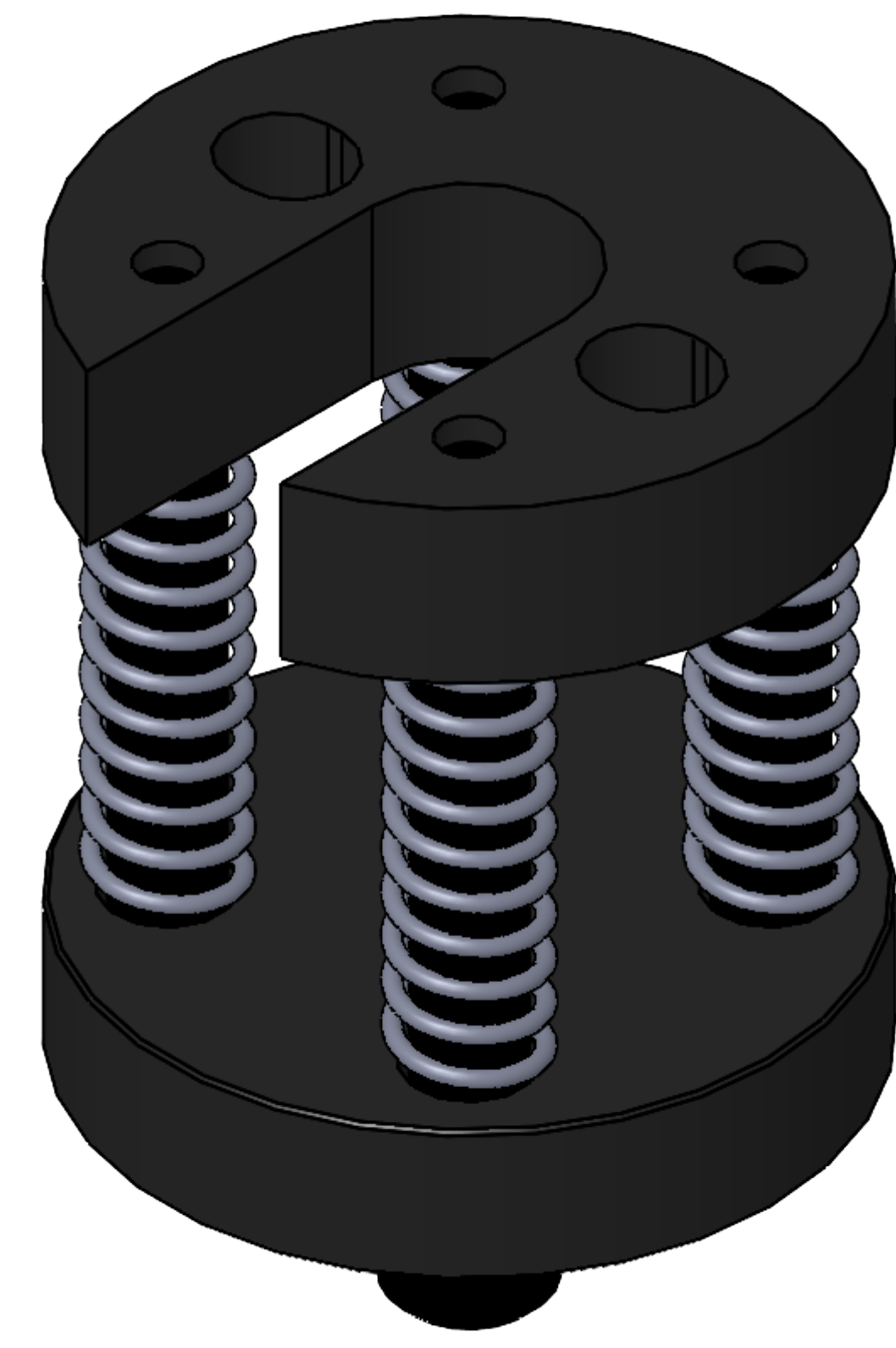
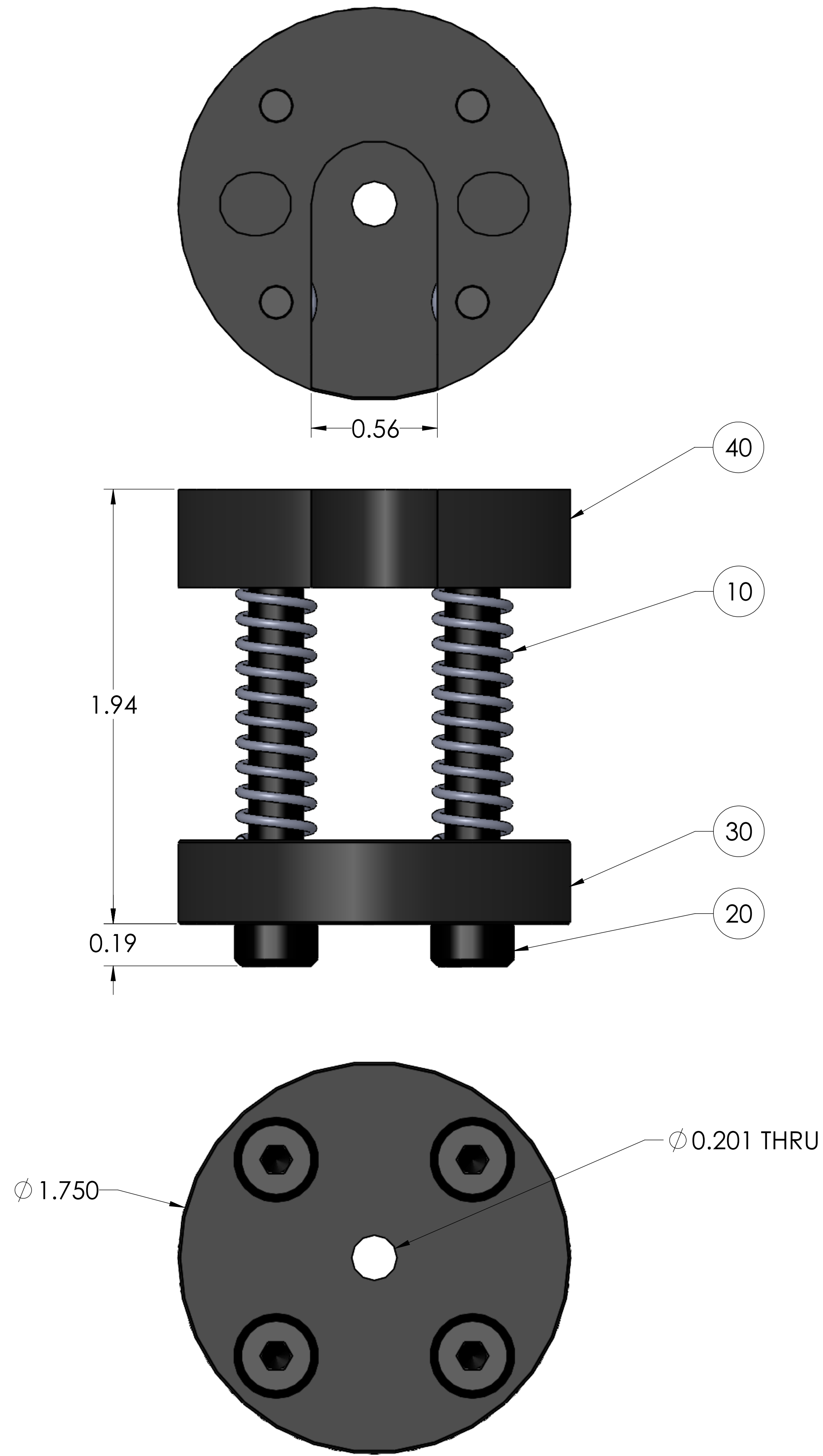


ITEM NO.	PART NUMBER	DESCRIPTION	QTY.
10	HDW-005404	LEE SPRING LC-042E-12	4
20	HDW-005548	SPRING MOUNT SHOULDER BOLT	4
30	MACH-004229	HOLDER - CI31-32/CO31	1
40	MACH-005521	PLATE - CI31-32/CO31	1





10100 PROGRESS WAY HARRISON, OH 45030

SIZE D	DESCRIPTION CI31-32/CO31 SPRING MOUNT ASSY	REV A
PART NUMBER CTSC-034012		DATE 7/1/25
DRAWN BY JAW		CHECKED BY JAW
SHEET 1		OF 1

FILE LOCATION: \\Product Groups\CTS Connects\CTS Connect Drawings\SPRING MOUNT

Tuesday, July 1, 2025