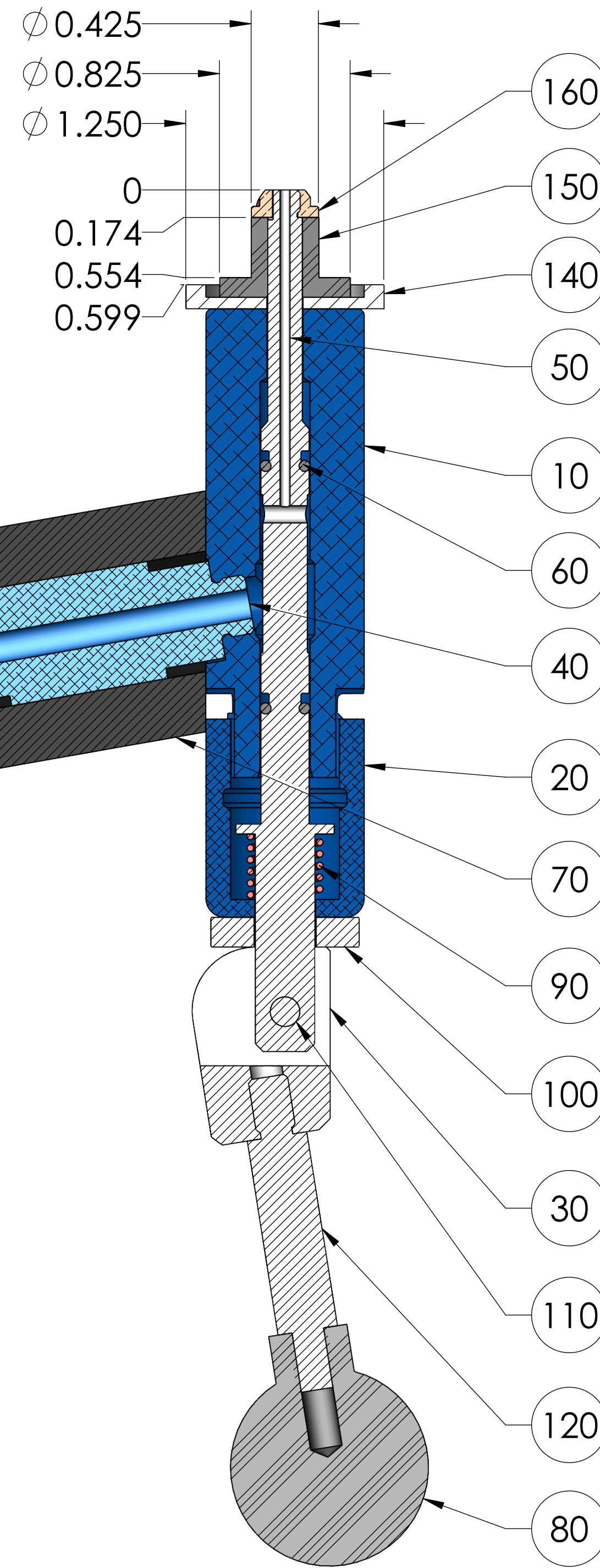
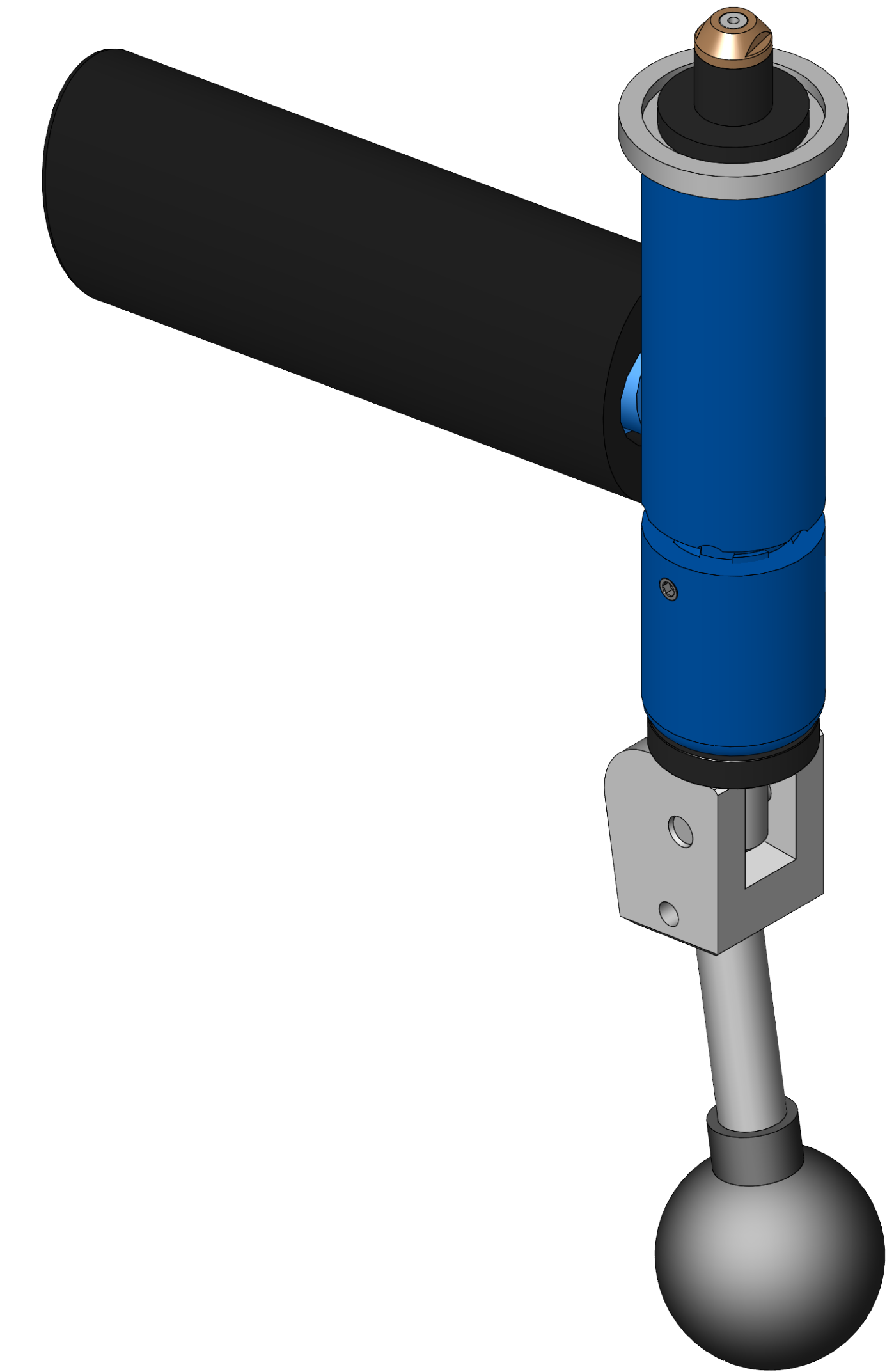


1/4 NPT
TEST AIR PORT

SECTION A-A
SCALE 1.5 : 1



ITEM NO.	PART NUMBER	DESCRIPTION	QTY.
10	MACH-004206	Body w Fill Port, CTS, HI31	1
20	MACH-004267	Cap, CTS, HI30-32	1
30	MACH-005526	Thread Port Clevis, CTS, HI30-32	1
40	MACH-005571	Handle, CTS, HI30-35	1
50	MACH-004668	Stem w Fill Port, CTS, HI31	1
60	SEAX-008488	-008 BUNA-N ORING	2
70	HDW-005566	Handle Grip, Connect, SA-1073	1
80	HDW-005573	Knob, Connect, McMaster, 6046K4	1
90	HDW-005405	Spring, Connect, LC-042G-04-M	1
100	HDW-034018	Washer, Connect, Flat Reid, FW-3	1
110	MECX-017814	Dowel Pin, Connect, .188 x .75	1
120	MACH-005575	Short Lever, CTS, HI30-32	1
130	HDWX-035085	Screw, Socket Set, 8-32 x 0.125in, Thread	1
140	MACH-004230	Seal Holder, CTS, CI31-AB	1
150	SEAL-004767	Seal, CTS, CI31-AB	1
160	MACH-004292	Nose, CTS, CI31-AB	1



SIZE D	DESCRIPTION Connect Assembly, CTS, HIH31-NPT-0250
PART NUMBER CTSC-003683	REV A
DATE 10/19/18	DRAWN BY CHECKED BY JAW SHEET 1 OF 1

FILE LOCATION: C:\Solidworks\PDM\PDW\R&D Product Development\CTS Connects\HI\Connect Assembly\HIH\HIH31\CTSC-003683

Tuesday, July 1, 2025