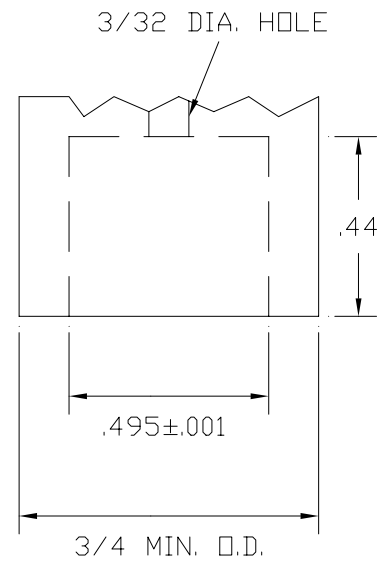
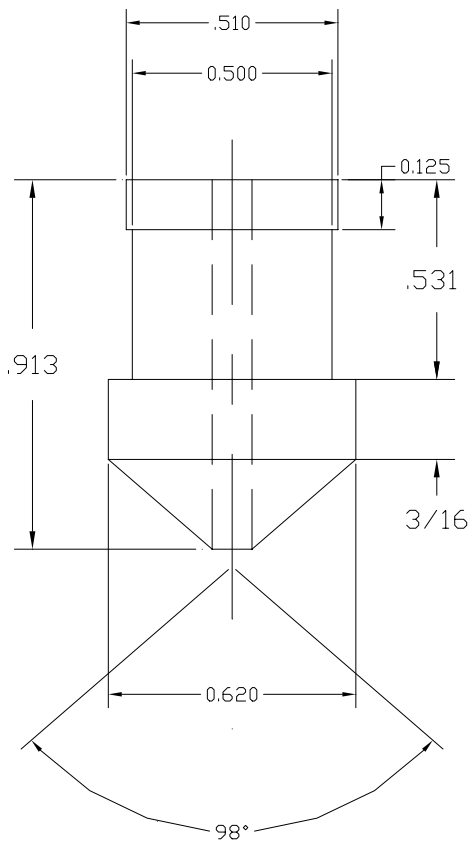


SEAL HOLDER



MATERIAL : POLYURETHANE

	<b>CINCINNATI TEST SYSTEMS, INC.</b> 5555 DRY FORK RD. CLEVELAND, OH 45002	
	PHONE 513-367-6699	FAX 513-367-5426
SEAL HCM-269	DATE 6/14/02	